

GU10 LED

Světelný zdroj LED



GU10 4W-WW LED



	PoN (W)	[W]	[lm]	[lm] Φuse	Tc [K]	[°]	Resistor	Eii (A/G)
GU10 4W-WW LED	31230	4	35	380	320	3000	100	GU10 F
GU10 4W-NW LED	31231	4	35	380	320	4000	100	GU10 F
GU10 4W-CW LED	31232	4	35	380	320	5000	100	GU10 F
GU10 6W-WW LED	31233	6	45	520	430	3000	100	GU10 G
GU10 6W-NW LED	31234	6	45	520	430	4000	100	GU10 G
GU10 6W-CW LED	31235	6	45	520	430	5000	100	GU10 G
GU10 8W-WW LED	31236	8	57	690	560	3000	100	GU10 G
GU10 8W-NW LED	31237	8	57	690	560	4000	100	GU10 G
GU10 8W-CW LED	31238	8	57	690	560	5000	100	GU10 G

GU10 LED

Světelný zdroj LED



GU10 4W-WW LED



GU10 4W-NW LED



GU10 4W-CW LED



GU10 6W-WW LED



GU10 6W-NW LED



GU10 6W-CW LED



GU10 8W-WW LED



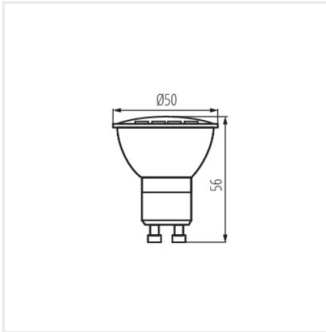
GU10 8W-NW LED

GU10 LED

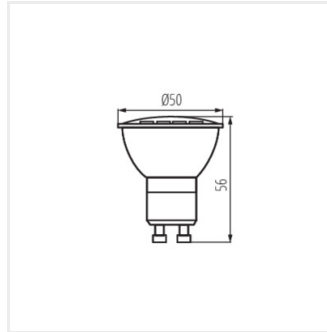
Světelný zdroj LED



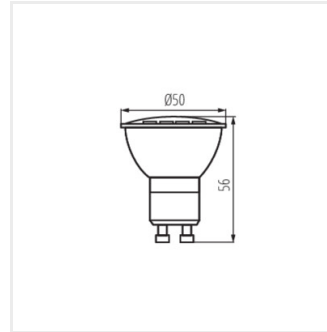
GU10 8W-CW LED



GU10 4W LED



GU10 6W LED



GU10 8W LED